

Kearney™ Electrical Equipment Grounding Lug



Figure 1. Grounding Lug GL01X20SS.

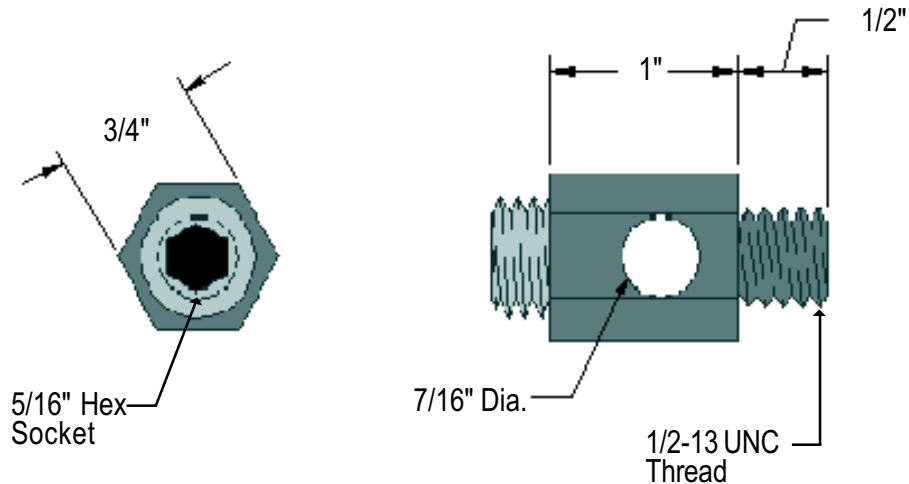


Figure 2. Grounding Lug GL01X20SS Applications.

Description:

A heavy-duty lug for ground wires to electrical equipment such as transformers or steel structures. The 1/2"-13 threaded stud fits all EEI-NEMA distribution equipment. It is installed with a standard 3/4" socket wrench. This connector is machined from solid 300 Series stainless steel and has an industry standard 5/16" hex socket set screw to secure the ground conductor.

Conductor Range – #10 solid to 2/0 stranded - 0.102 to 0.419 inches.



| Product Cross Reference | |
|-------------------------|-----------------|
| Manufacturer | Part Number |
| Burndy | KC26 or EQC632C |
| CMC | TGC2 |
| Penn Union | GSE-020 |
| Thomas & Bettes | TTC2 |



Figure 3. Grounding Lug GL01X20SS Application.