

Surge Arresters

Service Information

Flipper Fuse Kit Part Numbers AM21A1 and AM21A2 Installation Instructions

S235-25-2

PARTS LIST

Item Number	Description
1	Transformer Contact Arm (mounts to transformer terminal)
2	Transformer Bushing Wildlife Protector (kit number AM21A1 only)
3	Arrester Contact Arm (mounts on arrester line terminal)
4*	Hex Nut (from arrester)
5*	Line Lead Clamp (from arrester)
6*	Surge Arrester (already mounted to transformer)
7*	Transformer Bushing
8*	Line Lead
9*	Transformer Terminal Connector

* Not included in kit.

ATTACHING THE CONTACT ARMS

1. Mount the surge arrester to the transformer sidewall per the arrester installation instructions.
2. Insert the fuse cutout transformer contact arm (Item 1) through the optional transformer bushing wildlife protector (Item 2) and into the transformer terminal connector (Item 9). Position the contact arm so that the open end of the "V" faces away from the arrester, as shown in Figure 1. Tighten the transformer terminal securely and lower the optional wildlife protector down over the bushing terminal.
3. Install the hardware and line lead onto the top terminal of the arrester as shown in Figure 1. Position the fuse cutout arrester contact arm (Item 3) so that the open end of the "V" is facing away from the transformer terminal as shown in Figure 1. Position the line lead under the wire clamp (Item 5) and torque the hex nut (Item 4) to 20 ft-lbs.
4. Install the open-link type fuse link with the oblong end of the fuse connected to the arrester contact arm. Various sizes and link types are available from Cooper Power Systems. Refer to catalog section 240-30.

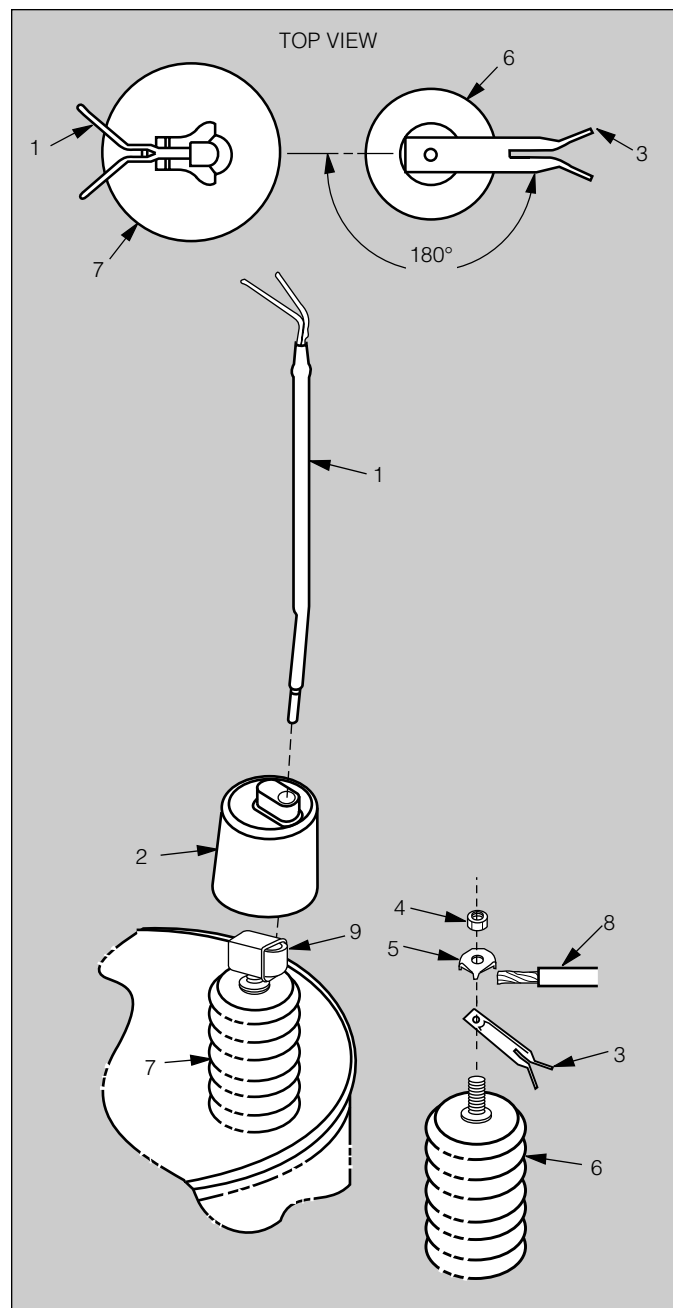


Figure 1.
Flipper fuse kit assembly.

These instructions do not claim to cover all details or variations in the equipment, procedure, or process described, nor to provide directions for meeting every contingency during installation, operation, or maintenance. When additional information is desired to satisfy a problem not covered sufficiently for the user's purpose, please contact your Cooper Power Systems sales engineer.



P.O. Box 1640
Waukesha, WI 53187
www.cooperpower.com