

# OEM Equipment

Electrical Apparatus

## Two-Position Sidewall (Horizontal) and Cover (Vertical) Mounted Loadbreak Switches

800-65

### GENERAL

The compact Cooper Power Systems two-position loadbreak/loadmake switch is designed for use in transformer (mineral) oil or Envirotemp FR3 fluid-filled "Class 1" pad-mounted transformers or distribution switchgear.

The switch mechanism uses a manually charged over-toggle stored spring assembly, which is independent of operator speed. The spring loaded activating mechanism ensures quick loadbreak or loadmake operation in less than one cycle. The two-position switch incorporates a double "O" ring shaft sealing system and three types of mounting systems, which include a bolt-in place system, weld-in bracket assembly, or an easy to install ring mount system. Also incorporated into the switch mechanism are internal stops which restrict the handle orientation to only two positions.

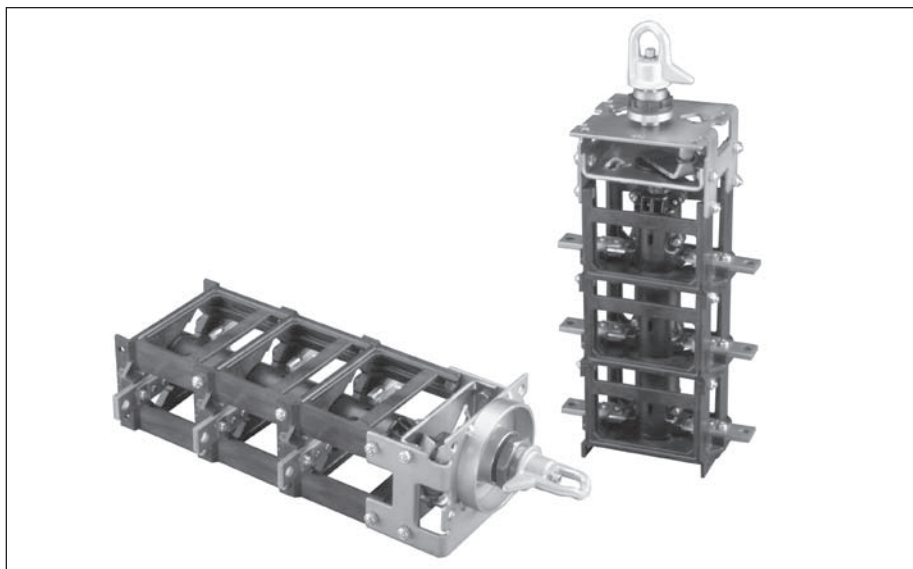
The two-position switch is hotstick operable and requires minimal input torque to operate. It features tungsten copper contacts to minimize arc erosion and prolong contact life. The switch contacts are factory assembled and gaged to a predetermined spring pressure to ensure uniform contact pressure between the contacts and the blades.

The silver-plated copper blades are securely keyed between the vented rotor halves which ensure proper blade and contact alignment during switching. All of these features make the two-position switch a reliable, no-maintenance switch product.

### DESIGN/PRODUCTION TESTS

The two-position switch has been tested to meet the sequential test requirements described by IEEE Std C37.71™-1984 standard and IEEE Std C37.72™-1987 standard. Tests are also conducted on production switches in accordance with Cooper requirements.

- Physical Inspection
- Turn Tested (on/off/on)
- Operation Torque Verification
- Resistance Testing



**Figure 1.** Two-position loadbreak switch (Bolt-In and Ring Mount designs shown).

**TABLE 1**  
Ratings and Characteristics

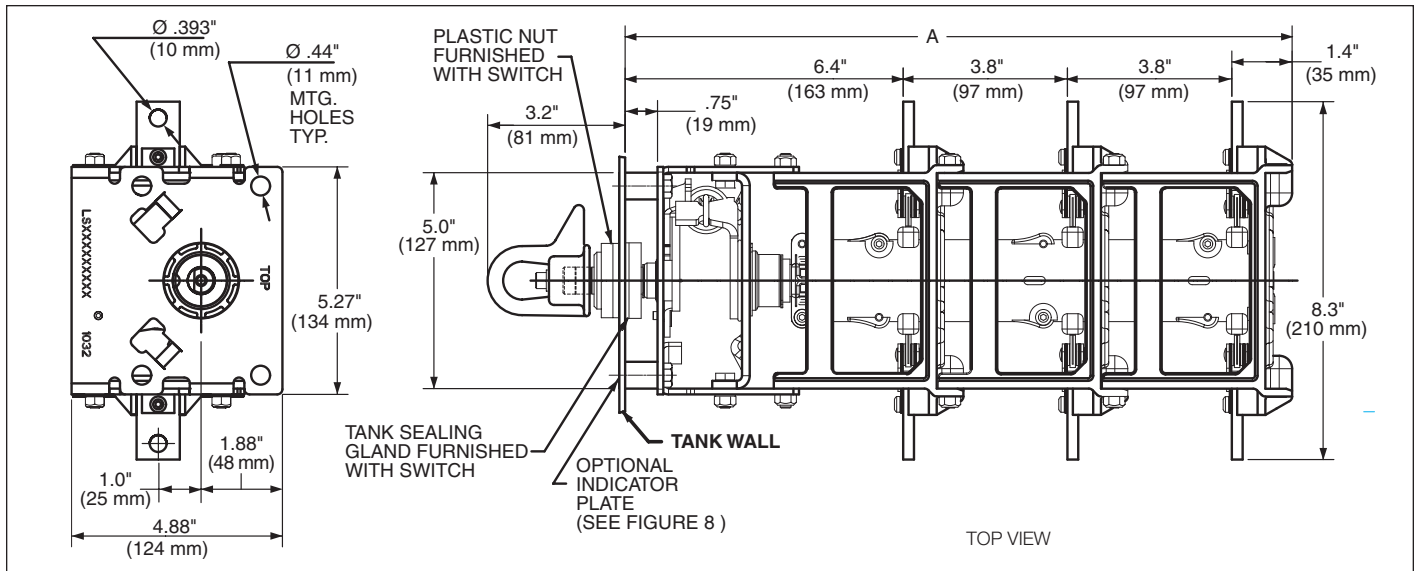
Description	Units	Ratings			
Rated Voltage					
Maximum rating phase-to-phase	kV	15.5	27.6	38	46
Maximum rating phase-to-ground	kV	8.9	15.6	21.9	26.5
Power Frequency	Hz	60	60	60	60
Current Rating (Continuous)	A	550	400	300	65
Switching Current	A	550	400	300	65
Magnetizing Interrupting Current	A	21	21	10.5	10.5
Cable Charging Current	A	10	25	20	15
Fault Withstand Current (Momentary)					
10 cycle symmetric rms	kA	12	12	12	12
10 cycle asymmetric rms	kA	19.2	19.2	19.2	19.2
45 cycles symmetric rms	kA	16	16	16	16
1 second symmetric rms	kA	12	12	12	12
2 second symmetric rms	kA	8	8	8	8
3 second symmetric rms	kA	7	7	7	7
Fault Close and Latch					
10 cycle symmetric rms	kA		12	12	12
10 cycle asymmetric rms	kA		19.2	19.2	19.2
15 cycle symmetric rms	kA	12			
15 cycle asymmetric rms	kA	19.2			
Impulse Withstand Voltage (1.2/50µs)					
To ground and between phases	kV	200	200	200	200
Across open contacts	kV	235	235	235	235
Power Frequency Withstand (1 minute)					
To ground and between phases	kV	70	70	70	70
Across open contacts	kV	95	95	95	95
DC Withstand (15 minutes)					
To ground, between phases and across	kV	103	103	103	103
Contacts					
Corona (Extinction)	kV	26	26	26	26
Mechanical Life (Minimum Operations)		2,000	2,000	2,000	2,000

**INSTALLATION**

No special tools are required. The switch is either sidewall- or cover-mounted with the internal components completely immersed

under transformer oil or an approved equivalent fluid. All parts should be inspected for damage before using.

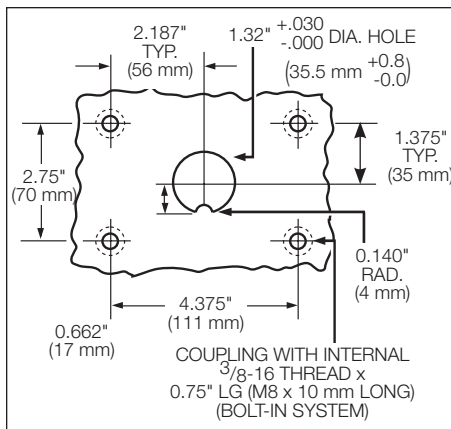
**NOTE:** For all mounting systems, refer to S800-65-2 for more detailed installation instructions.



**Figure 2.** Line illustration with dimensions of loadbreak switch with “BOLT-IN SYSTEM” for horizontal mounting.

**NOTES:**

1. Dimensions given are for reference only.
2. Switch shown with contacts “CLOSED” and flat of shaft on “BOTTOM” to position cast handle pointer to 9 o’clock when looking at switch with side marked “TOP” up. Handle is rotated approximately 90° CCW when it is in the “OPEN” position.



**Figure 3.** Hole & Coupling placement detail.

**NOTE:** Hole & Coupling placement detail. Couplings not included with switch. Pre-welded coupling plates available. See Table 5.

**TABLE 2**  
Dimensional Information for Figure 2

Number of Decks or Phases	“A” Dimension Inches/(mm)
1	7.83 (199)
2	11.64 (296)
3	15.44 (392)

**NOTE:** For catalog (P/N) information see Tables 5 and 9 on page 4 and 6.

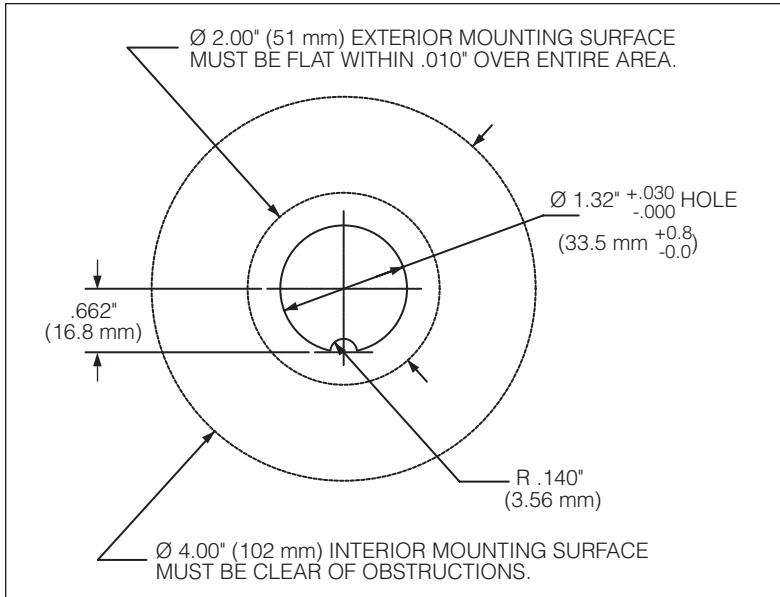


Figure 4. Hole placement (Ring Mount system).

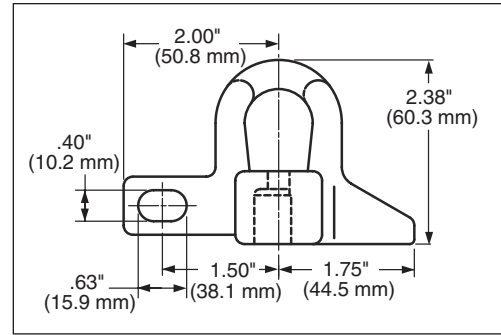


Figure 5. Padlockable Handle.

TABLE 3  
Accessory Parts

Description	Catalog Number	Drawing
*Conversion Mounting Bracket (For Bolt-in System)	2037424C03M	4200738N
Standard Handle	2200726B05	4201184N
Padlockable Handle	2239000B14	4201093N
Indicator Plate	2238709C01	4201192N

\*NOTE: Plate includes hole and couplings.

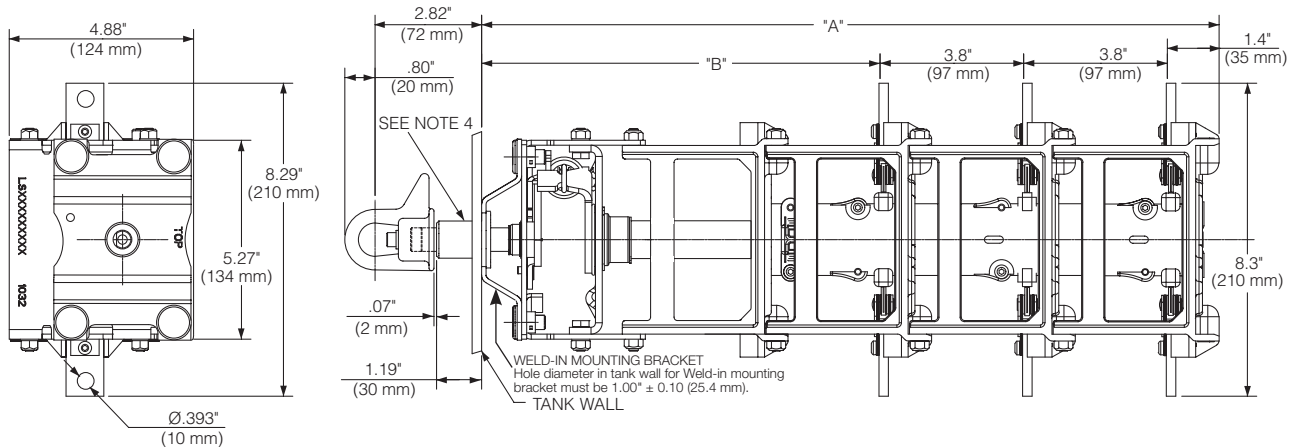


Figure 6. Line illustration with dimensions of loadbreak switch with "WELD-IN SYSTEM" for horizontal or vertical mounting. (Shown with "Full" deck extension.)

NOTES:

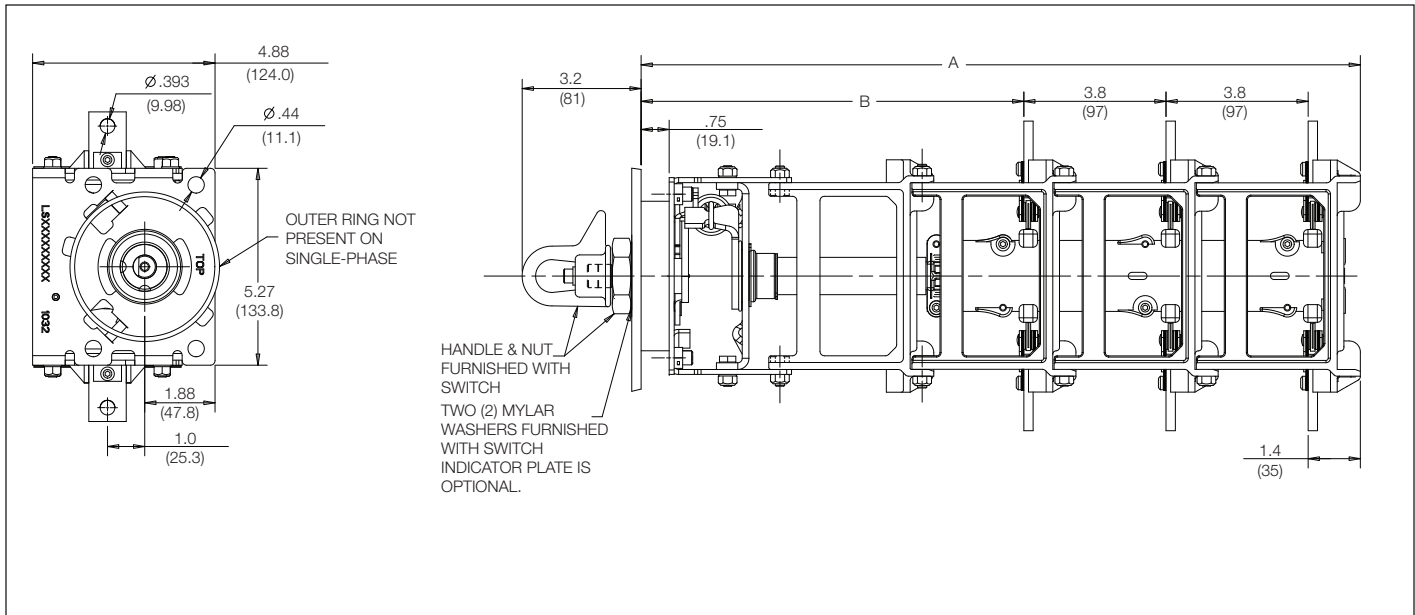
- Dimensions given are for reference only.
- Switch shown with contacts "CLOSED" and flat of shaft on "BOTTOM" to position cast handle pointer to 9 o'clock when looking at switch with side marked "TOP" up. Handle is rotated approximately 90° CCW when it is in the "OPEN" position.

TABLE 4  
Dimensional Information for Figure 6

Number of Decks or Phases	Dimensions w/Standard Configuration (No Extensions) Inches/(mm)		Dimensions w/Short (1/2) Deck Extension Inches/(mm)		Dimensions w/Full Deck Extension Inches/(mm)		Dimensions w/Short (1/2) Deck + Full Deck Extension Inches/(mm)	
	"A"	"B"	"A"	"B"	"A"	"B"	"A"	"B"
1	8.14 (207)	6.75 (171)	10.2 (259)	8.8 (224)	12.0 (305)	10.6 (269)	14.0 (356)	12.6 (321)
2	11.95 (303)		14.0 (356)		15.8 (400)		17.8 (452)	
3	15.75 (400)		17.8 (452)		19.6 (497)		21.6 (549)	

**TABLE 5**  
Dimensional Information for Figure 7

Ring Mount w/Standard Configuration (No Extensions) Inches/(mm)			Ring Mount w/Full Deck Extension Inches/(mm)		
Number of Decks or Phases	"A"	"B"	Number of Decks or Phases	"A"	"B"
1	7.83 (198 mm)	6.4 (163 mm)	1	11.6 (295 mm)	10.2 (259 mm)
2	11.64 (296 mm)		2	15.4 (391 mm)	
3	15.44 (392 mm)		3	19.3 (490 mm)	
Ring Mount w/ 1/2 Deck Extension Inches/(mm)			Ring Mount with 1/2 Deck + Full Deck Extension Inches/(mm)		
Number of Decks or Phases	"A"	"B"	Number of Decks or Phases	"A"	"B"
1	9.9 (251 mm)	8.5 (215 mm)	1	13.7 (347 mm)	12.3 (312 mm)
2	13.7 (34.7 mm)		2	17.5 (444 mm)	
3	17.5 (444 mm)		3	21.3 (541 mm)	



**Figure 7.**  
Line illustration with dimensions of loadbreak switch with "RING MOUNT SYSTEM" for horizontal or vertical mounting.

**NOTES:**

1. Dimensions given are for reference only.
2. Switch shown with contacts "CLOSED" and flat of shaft on "BOTTOM" to position cast handle pointer to 9 o'clock when looking at switch with side marked "TOP" up. Handle is rotated approximately 90° CCW when it is in the "OPEN" position.
3. Ring mount switch can be mounted turned 90° sideways utilizing second slot in mounting insert.

### ORDERING INFORMATION - HORIZONTAL MOUNT

To order the two-position sidewall (horizontal) mounted loadbreak switch, specify catalog numbers as listed in Table 6.

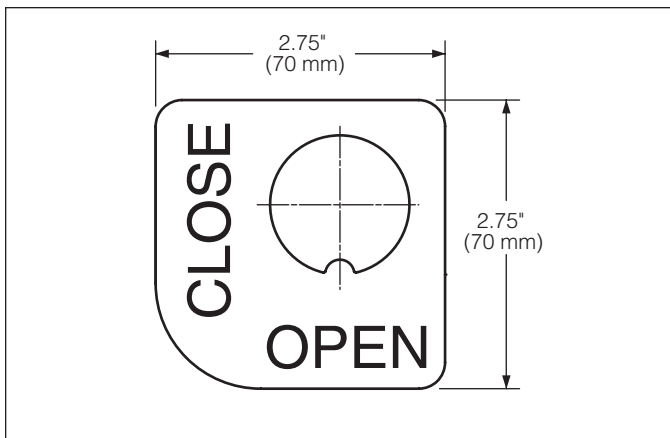
**TABLE 6**  
Loadbreak Switch Significant Digit Catalog Numbers

1	2	3	4	5	6	7	8	9	10	11	12																																																				
<b>L</b>	<b>S</b>	<b>2</b>	<b>B</b>	<b>3</b>	<b>3</b>	<b>8</b>	<b>H</b>	<b>3</b>	<b>N</b>	<b>1</b>	<b>A</b>																																																				
<table border="1" style="width:100%; border-collapse: collapse;"> <tr><th>CODE</th><th>PRODUCT</th></tr> <tr><td>L</td><td>LOADBREAK</td></tr> <tr><td>S</td><td>SWITCH</td></tr> <tr><td>2</td><td>2-POSITION</td></tr> </table>		CODE	PRODUCT	L	LOADBREAK	S	SWITCH	2	2-POSITION	<table border="1" style="width:100%; border-collapse: collapse;"> <tr><th>CODE</th><th>INSTALLATION</th></tr> <tr><td>B</td><td>BOLT-IN SYSTEM</td></tr> <tr><td>R</td><td>RING MOUNT SYSTEM</td></tr> <tr><td>W</td><td>WELD-IN MOUNT</td></tr> </table>		CODE	INSTALLATION	B	BOLT-IN SYSTEM	R	RING MOUNT SYSTEM	W	WELD-IN MOUNT	<table border="1" style="width:100%; border-collapse: collapse;"> <tr><th>CODE</th><th>POWER RATING</th></tr> <tr><td>338</td><td>300 A, 38 kV</td></tr> <tr><td>427</td><td>400 A, 27 kV</td></tr> <tr><td>515</td><td>550 A, 15 kV</td></tr> <tr><td>646</td><td>65 A, 46 kV</td></tr> </table>		CODE	POWER RATING	338	300 A, 38 kV	427	400 A, 27 kV	515	550 A, 15 kV	646	65 A, 46 kV	<table border="1" style="width:100%; border-collapse: collapse;"> <tr><th>CODE</th><th>ORIENTATION</th></tr> <tr><td>H</td><td>HORIZONTAL</td></tr> </table>		CODE	ORIENTATION	H	HORIZONTAL	<table border="1" style="width:100%; border-collapse: collapse;"> <tr><th>CODE</th><th>NUMBER OF PHASES</th></tr> <tr><td>1</td><td>ONE</td></tr> <tr><td>2</td><td>TWO</td></tr> <tr><td>3</td><td>THREE</td></tr> </table>		CODE	NUMBER OF PHASES	1	ONE	2	TWO	3	THREE	<table border="1" style="width:100%; border-collapse: collapse;"> <tr><th>CODE</th><th>STYLE**</th></tr> <tr><td>N</td><td>NORMAL</td></tr> <tr><td>S</td><td>STAINLESS STEEL/ NON-CORROSIVE</td></tr> </table>		CODE	STYLE**	N	NORMAL	S	STAINLESS STEEL/ NON-CORROSIVE	<table border="1" style="width:100%; border-collapse: collapse;"> <tr><th>CODE</th><th>INDICATOR PLATE*</th></tr> <tr><td>1</td><td>NO INDICATOR PLATE</td></tr> <tr><td>2</td><td>WITH OPTIONAL INDICATOR PLATE (Indicator plate not available for Weld-In system)</td></tr> </table>		CODE	INDICATOR PLATE*	1	NO INDICATOR PLATE	2	WITH OPTIONAL INDICATOR PLATE (Indicator plate not available for Weld-In system)
CODE	PRODUCT																																																														
L	LOADBREAK																																																														
S	SWITCH																																																														
2	2-POSITION																																																														
CODE	INSTALLATION																																																														
B	BOLT-IN SYSTEM																																																														
R	RING MOUNT SYSTEM																																																														
W	WELD-IN MOUNT																																																														
CODE	POWER RATING																																																														
338	300 A, 38 kV																																																														
427	400 A, 27 kV																																																														
515	550 A, 15 kV																																																														
646	65 A, 46 kV																																																														
CODE	ORIENTATION																																																														
H	HORIZONTAL																																																														
CODE	NUMBER OF PHASES																																																														
1	ONE																																																														
2	TWO																																																														
3	THREE																																																														
CODE	STYLE**																																																														
N	NORMAL																																																														
S	STAINLESS STEEL/ NON-CORROSIVE																																																														
CODE	INDICATOR PLATE*																																																														
1	NO INDICATOR PLATE																																																														
2	WITH OPTIONAL INDICATOR PLATE (Indicator plate not available for Weld-In system)																																																														
										<table border="1" style="width:100%; border-collapse: collapse;"> <tr><th>CODE</th><th>HARDWARE KITS</th></tr> <tr><td>A</td><td>HARDWARE KIT W/BRASS HANDLE</td></tr> <tr><td>B</td><td>HARDWARE KIT W/BRASS HANDLE FOR STAINLESS STEEL/NON-CORROSIVE SWITCHES</td></tr> <tr><td>C</td><td>NO HARDWARE KIT</td></tr> </table>		CODE	HARDWARE KITS	A	HARDWARE KIT W/BRASS HANDLE	B	HARDWARE KIT W/BRASS HANDLE FOR STAINLESS STEEL/NON-CORROSIVE SWITCHES	C	NO HARDWARE KIT																																												
CODE	HARDWARE KITS																																																														
A	HARDWARE KIT W/BRASS HANDLE																																																														
B	HARDWARE KIT W/BRASS HANDLE FOR STAINLESS STEEL/NON-CORROSIVE SWITCHES																																																														
C	NO HARDWARE KIT																																																														

**NOTE:** Digit 12 should always be "B" or "C" if digit 10 is "S".

\* **NORMAL** style switch has all externally located parts built from plated steel, aluminum and brass materials.  
 \*\* **STAINLESS STEEL/NON-CORROSIVE** style switch has all externally located parts built from stainless steel and brass materials.  
 \*\* **STAINLESS STEEL/NON-CORROSIVE** style ring mount switch should always be matched with a hardware kit having a brass handle and a stainless steel nut.

**NOTES:** Catalog Number Example shown in Table 8 represents a standard, Bolt-In system, 300 A, 38 kV, Horizontal, 3-phase, standard plated steel external parts, w/o indicator plate, with brass handle hardware kit, 6:00/9:00 positions. (Other handle position options available upon request for 9:00/12:00, 12:00/3:00, and 3:00/6:00 positions. Consult your Cooper Power Systems sales representative for details.)



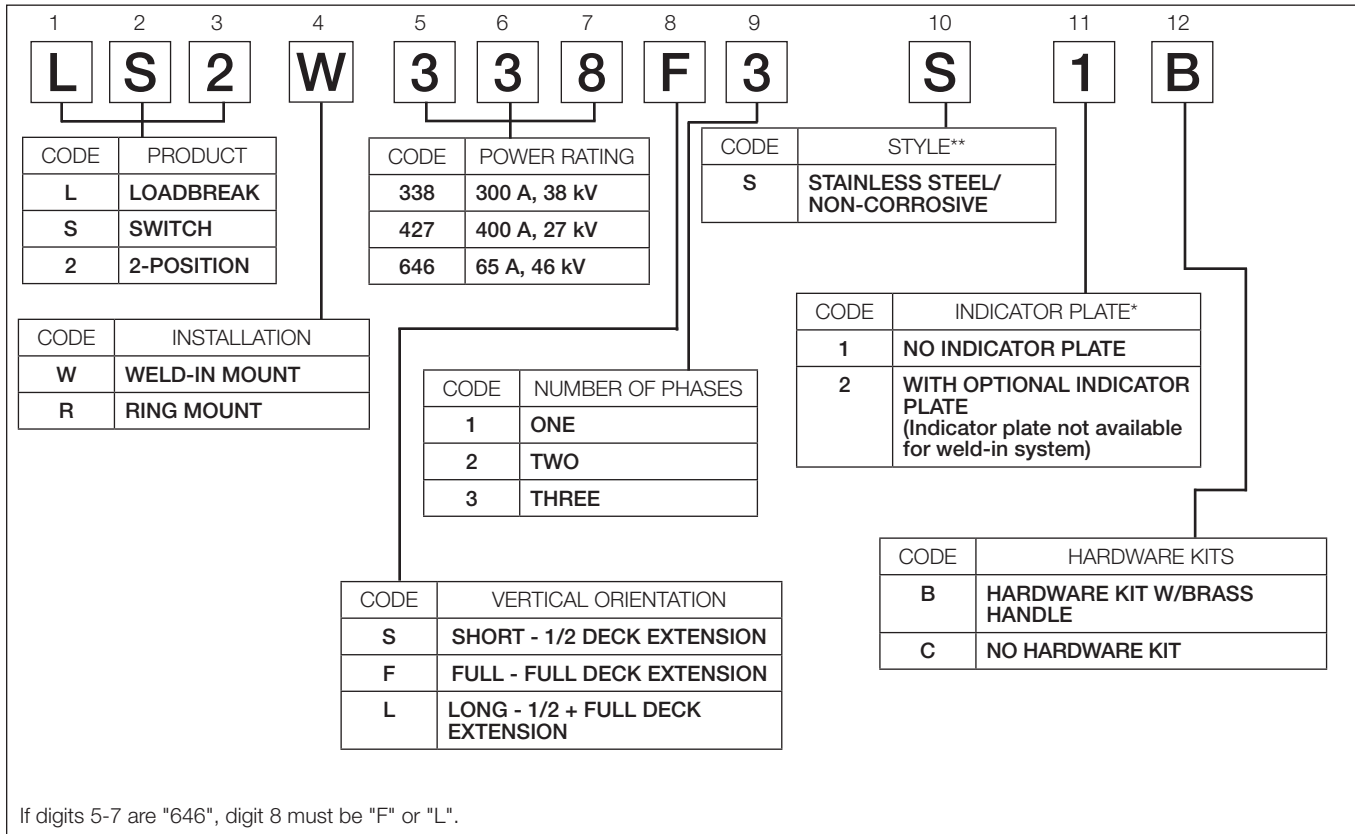
**Figure 8.**  
Index plate (optional).

**NOTE:** For different orientations see drawing 4201192N.

## ORDERING INFORMATION - VERTICAL MOUNT

To order the two-position cover mount (vertical) mounted loadbreak switch, specify catalog numbers as listed in Table 7.

**TABLE 7**  
Loadbreak Switch Significant Digit Catalog Numbers



**NOTES:** Catalog Number Example shown in Table 9 represents a standard, Weld-In system, 300 A, 38 kV, Vertical, 3-phase, standard plated steel external parts, w/o indicator plate, with brass handle hardware kit, 6:00/9:00 positions. (Other handle position options available upon request for 9:00/12:00, 12:00/3:00, and 3:00/6:00 positions. Consult your Cooper Power Systems sales representative for details.)

**TABLE 8**  
Accessory Parts

Description	Catalog Number	Drawing
Weld-In Bracket	2238061C01M	
Standard (Brass) Handle	2200726B05	4201184N
Padlockable (Brass) Handle	2239000B15	4201093N

This page intentionally left blank.

©2009 Cooper Industries. All Rights Reserved.  
Cooper Power Systems, Envirotemp and FR3 are valuable trademarks of Cooper Industries in the U.S. and other countries. You are not permitted to use the Cooper Trademarks without the prior written consent of Cooper Industries.  
IEEE Std C37.71™-1984 and IEEE Std C37.72™-1987 standards are trademarks of the Institute of Electrical and Electronics Engineers, Inc., (IEEE). These products are not endorsed or approved by the IEEE.

  
**COOPER** Power Systems

2300 Badger Drive  
Waukesha, WI 53188 USA  
[www.cooperpower.com](http://www.cooperpower.com)